



**MICROCHIP**

---

**Configurable Logic Cell (CLC)  
Configuration Tool  
User's Guide**

---

**Note the following details of the code protection feature on Microchip devices:**

- Microchip products meet the specification contained in their particular Microchip Data Sheet.
- Microchip believes that its family of products is one of the most secure families of its kind on the market today, when used in the intended manner and under normal conditions.
- There are dishonest and possibly illegal methods used to breach the code protection feature. All of these methods, to our knowledge, require using the Microchip products in a manner outside the operating specifications contained in Microchip's Data Sheets. Most likely, the person doing so is engaged in theft of intellectual property.
- Microchip is willing to work with the customer who is concerned about the integrity of their code.
- Neither Microchip nor any other semiconductor manufacturer can guarantee the security of their code. Code protection does not mean that we are guaranteeing the product as "unbreakable."

Code protection is constantly evolving. We at Microchip are committed to continuously improving the code protection features of our products. Attempts to break Microchip's code protection feature may be a violation of the Digital Millennium Copyright Act. If such acts allow unauthorized access to your software or other copyrighted work, you may have a right to sue for relief under that Act.

---

Information contained in this publication regarding device applications and the like is provided only for your convenience and may be superseded by updates. It is your responsibility to ensure that your application meets with your specifications. MICROCHIP MAKES NO REPRESENTATIONS OR WARRANTIES OF ANY KIND WHETHER EXPRESS OR IMPLIED, WRITTEN OR ORAL, STATUTORY OR OTHERWISE, RELATED TO THE INFORMATION, INCLUDING BUT NOT LIMITED TO ITS CONDITION, QUALITY, PERFORMANCE, MERCHANTABILITY OR FITNESS FOR PURPOSE. Microchip disclaims all liability arising from this information and its use. Use of Microchip devices in life support and/or safety applications is entirely at the buyer's risk, and the buyer agrees to defend, indemnify and hold harmless Microchip from any and all damages, claims, suits, or expenses resulting from such use. No licenses are conveyed, implicitly or otherwise, under any Microchip intellectual property rights.

**Trademarks**

The Microchip name and logo, the Microchip logo, dsPIC, KEELOQ, KEELOQ logo, MPLAB, PIC, PICmicro, PICSTART, PIC<sup>32</sup> logo, rPIC and UNI/O are registered trademarks of Microchip Technology Incorporated in the U.S.A. and other countries.

FilterLab, Hampshire, HI-TECH C, Linear Active Thermistor, MXDEV, MXLAB, SEEVAL and The Embedded Control Solutions Company are registered trademarks of Microchip Technology Incorporated in the U.S.A.

Analog-for-the-Digital Age, Application Maestro, chipKIT, chipKIT logo, CodeGuard, dsPICDEM, dsPICDEM.net, dsPICworks, dsSPEAK, ECAN, ECONOMONITOR, FanSense, HI-TIDE, In-Circuit Serial Programming, ICSP, Mindi, MiWi, MPASM, MPLAB Certified logo, MPLIB, MPLINK, mTouch, Omniscient Code Generation, PICC, PICC-18, PICDEM, PICDEM.net, PICkit, PICtail, REAL ICE, rLAB, Select Mode, Total Endurance, TSHARC, UniWinDriver, WiperLock and ZENA are trademarks of Microchip Technology Incorporated in the U.S.A. and other countries.

SQTP is a service mark of Microchip Technology Incorporated in the U.S.A.

All other trademarks mentioned herein are property of their respective companies.

© 2011, Microchip Technology Incorporated, Printed in the U.S.A., All Rights Reserved.

 Printed on recycled paper.

ISBN: 978-1-61341-526-9

**QUALITY MANAGEMENT SYSTEM**  
**CERTIFIED BY DNV**  
**== ISO/TS 16949:2009 ==**

*Microchip received ISO/TS-16949:2009 certification for its worldwide headquarters, design and wafer fabrication facilities in Chandler and Tempe, Arizona; Gresham, Oregon and design centers in California and India. The Company's quality system processes and procedures are for its PIC<sup>®</sup> MCUs and dsPIC<sup>®</sup> DSCs, KEELOQ<sup>®</sup> code hopping devices, Serial EEPROMs, microperipherals, nonvolatile memory and analog products. In addition, Microchip's quality system for the design and manufacture of development systems is ISO 9001:2000 certified.*



---

---

## Table of Contents

---

---

Preface .....	5
Introduction .....	5
Document Layout.....	5
Conventions Used in this Guide .....	6
The Microchip Web Site.....	7
Customer Support.....	7
Document Revision History .....	7
Chapter 1: CLC Configuration Tool Overview .....	9
Chapter 2: Manchester Line Code Example.....	19
<b>Appendix A: Manchester Encoding Program (ASSY).....</b>	<b>23</b>

# CLC Configuration Tool User's Guide

---

NOTES:

---

---

## Preface

---

---

### NOTICE TO CUSTOMERS

All documentation becomes dated, and this manual is no exception. Microchip tools and documentation are constantly evolving to meet customer needs, so some actual dialogs and/or tool descriptions may differ from those in this document. Please refer to our web site ([www.microchip.com](http://www.microchip.com)) to obtain the latest documentation available.

Documents are identified with a “DS” number. This number is located on the bottom of each page, in front of the page number. The numbering convention for the DS number is “DSXXXXA”, where “XXXX” is the document number and “A” is the revision level of the document.

For the most up-to-date information on development tools, see the MPLAB® IDE on-line help. Select the Help menu, and then Topics to open a list of available online help files.

## INTRODUCTION

This chapter contains general information that will be useful to know before using the Configurable Logic Cell (CLC) Configuration Tool. Items discussed in this chapter include:

- Document Layout
- Conventions Used in this Guide
- The Microchip Web Site
- Customer Support
- Document Revision History

## DOCUMENT LAYOUT

This document describes how to use the Configurable Logic Cell (CLC) Configuration Tool as a development tool to emulate and debug firmware on a target board.

The manual layout is as follows:

- **Chapter 1. CLC Configuration Tool Overview**
- **Chapter 2. Manchester Line Code Example**
- **Appendix A. Manchester Encoding Program (ASSY)**

# CLC Configuration Tool User's Guide

---

## CONVENTIONS USED IN THIS GUIDE

This manual uses the following documentation conventions:

### DOCUMENTATION CONVENTIONS

Description	Represents	Examples
<b>Arial font:</b>		
Italic characters	Referenced books	<i>MPLAB<sup>®</sup> IDE User's Guide</i>
	Emphasized text	...is the <i>only</i> compiler...
Initial caps	A window	the Output window
	A dialog	the Settings dialog
	A menu selection	select Enable Programmer
Quotes	A field name in a window or dialog	"Save project before build"
Underlined, italic text with right angle bracket	A menu path	<u><i>File&gt;Save</i></u>
Bold characters	A dialog button	Click <b>OK</b>
	A tab	Click the <b>Power</b> tab
N'Rnnnn	A number in verilog format, where N is the total number of digits, R is the radix and n is a digit.	4'b0010, 2'hF1
Text in angle brackets < >	A key on the keyboard	Press <Enter>, <F1>
<b>Courier New font:</b>		
Plain Courier New	Sample source code	#define START
	Filenames	autoexec.bat
	File paths	c:\mcc18\h
	Keywords	_asm, _endasm, static
	Command-line options	-Opa+, -Opa-
	Bit values	0, 1
	Constants	0xFF, 'A'
Italic Courier New	A variable argument	<i>file.o</i> , where <i>file</i> can be any valid filename
Square brackets [ ]	Optional arguments	mcc18 [options] <i>file</i> [options]
Curly brackets and pipe character: {   }	Choice of mutually exclusive arguments; an OR selection	errorlevel {0 1}
Ellipses...	Replaces repeated text	var_name [, var_name...]
	Represents code supplied by user	void main (void) { ... }

## THE MICROCHIP WEB SITE

Microchip provides online support via our web site at [www.microchip.com](http://www.microchip.com). This web site is used as a means to make files and information easily available to customers. Accessible by using your favorite Internet browser, the web site contains the following information:

- **Product Support** – Data sheets and errata, application notes and sample programs, design resources, user's guides and hardware support documents, latest software releases and archived software
- **General Technical Support** – Frequently Asked Questions (FAQs), technical support requests, online discussion groups, Microchip consultant program member listing
- **Business of Microchip** – Product selector and ordering guides, latest Microchip press releases, listing of seminars and events, listings of Microchip sales offices, distributors and factory representatives

## CUSTOMER SUPPORT

Users of Microchip products can receive assistance through several channels:

- Distributor or Representative
- Local Sales Office
- Field Application Engineer (FAE)
- Technical Support

Customers should contact their distributor, representative or field application engineer (FAE) for support. Local sales offices are also available to help customers. A listing of sales offices and locations is included in the back of this document.

Technical support is available through the web site at: <http://support.microchip.com>.

## DOCUMENT REVISION HISTORY

### Revision A (August 2011)

- Initial Release of this Document.

# CLC Configuration Tool User's Guide

---

NOTES:



---

---

## Chapter 1. CLC Configuration Tool Overview

---

---

### 1.1 INTRODUCTION

The intention of this User's Guide is to assist the reader in becoming acquainted with the Configurable Logic Cell (CLC) Configuration Tool. It will explain how to setup the tool and configure it with an applicable example of creating a Manchester encoder. This document will help the reader become familiar with the purpose and functionality of the CLC module and be able to use the CLC Configuration Tool with ease.

### 1.2 HIGHLIGHTS

This chapter discusses:

- CLC Configuration Tool Purpose
- Installing the Program
- Configurable Designer Options
- Saving/Loading

### 1.3 CLC CONFIGURATION TOOL PURPOSE

The CLC consists of multiple combination and sequential circuits that can have their functionality pre-programmed or programmed dynamically. This provides greater flexibility and potential in embedded designs, since the CLC module can operate outside the limitations of software execution and supports a vast amount of output designs.

The configuration tool's purpose is to streamline the setup process of the CLC module by simulating the functionality of the registers in a graphical user interface (GUI). The end result of using the tool will be a generated resource file, written in either C or assembly, which can be dropped into an existing project to be included in a program. The created file is custom generated, depending on the user inputs and preferences, such as programming language.

# CLC Configuration Tool User's Guide

## 1.4 INSTALLING THE PROGRAM

The most recent version of the software can be installed from Microchip's web site at <http://www.microchip.com>. Simply place the `CLCDesignerTool.exe` in the same folder as the `CLCDesigner.ini` file. To run the program, double-click on the executable and the screen in Figure 1-1 should be presented.

FIGURE 1-1: CLC GUI ON INITIAL START-UP

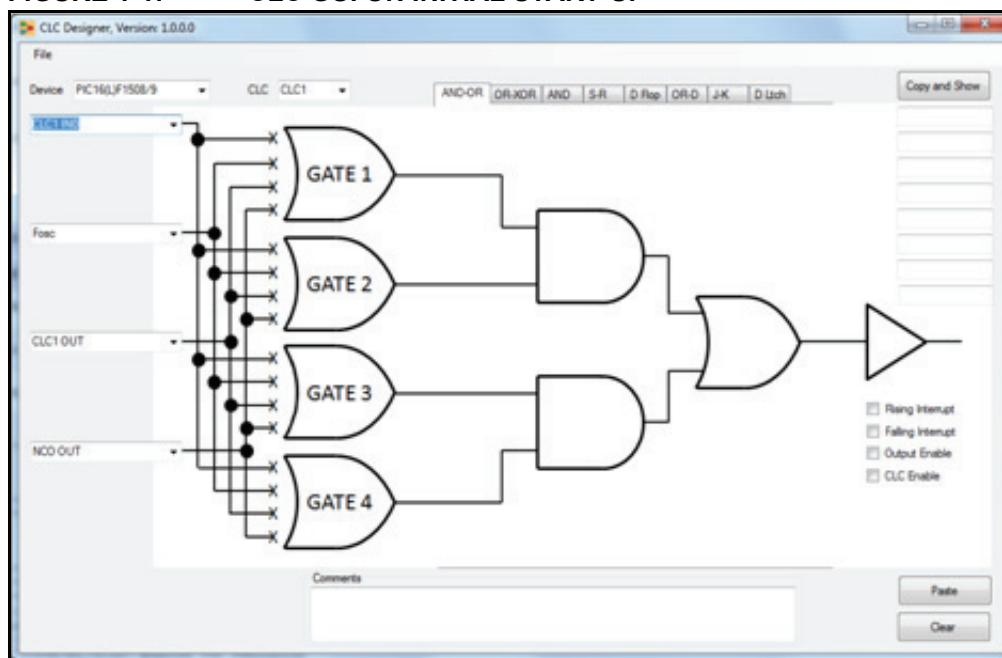
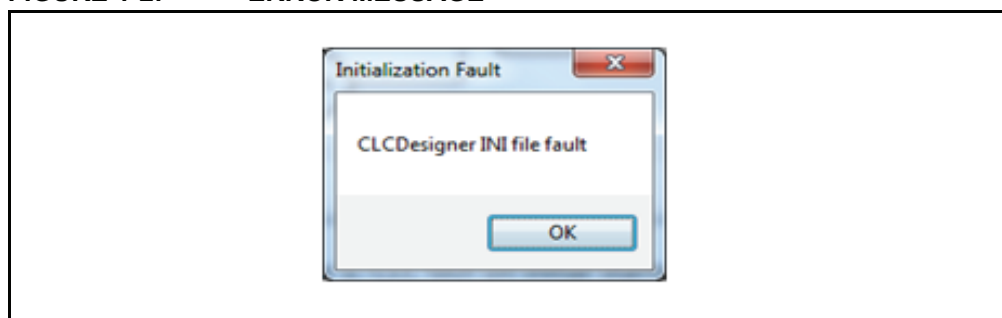


Figure 1-2 shows the error when the INI file is not placed in the same directory as the executable.

FIGURE 1-2: ERROR MESSAGE

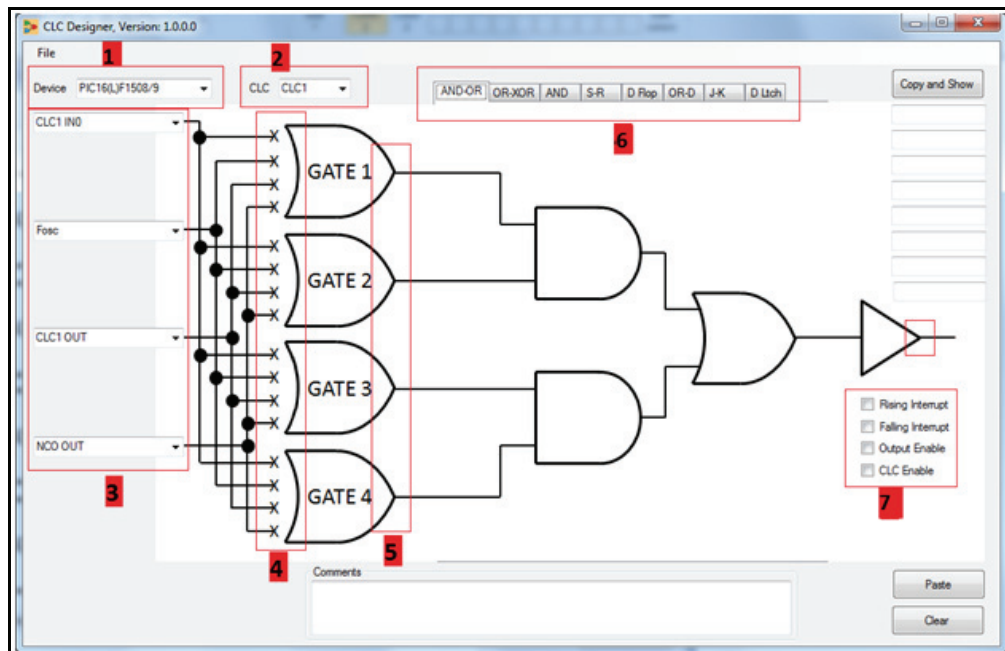


# CLC Configuration Tool Overview

## 1.5 CONFIGURABLE DESIGNER OPTIONS

The CLC Configuration Tool presents the following options in initial start-up as seen in Figure 1-3.

**FIGURE 1-3: CLC INPUT/OUTPUT OPTIONS**



The CLC Configuration Tool provides a friendly alternative to manually configuring the 8 CLC registers for each module in software. Table 1-1 correlates each block in the above figure with its matching register in the device's data sheet.

**TABLE 1-1: CORRELATION BETWEEN GUI REPRESENTATION AND THEIR EFFECTS ON DATA SHEET CLC REGISTERS**

CLC GUI Representation	CLC Registers
1. Device	All
2. CLC module	All
3. Data inputs	CLCxSEL1-2
4. Gate inputs	CLCxGLS1-4
5. Gate output polarity	CLCxPOL
6. Digital logic blocks	CLCxCON
7. CLC output control	CLCxCON

The following sections explain each block's functionality and purpose labeled in Figure 1-3.

# CLC Configuration Tool User's Guide

## 1.5.1 Device

This is where the device, such as the PIC16F1508, will be selected. When a device is selected, the program will configure itself automatically to that specific device, such as data inputs and number of available CLC outputs.

## 1.5.2 CLC Module

This drop-down menu will display each CLC module. Some devices, such as the PIC10F320, will only have one available CLC module in the selected device. The "x" in each CLC register will be replaced by whichever CLC module is used.

## 1.5.3 Data Inputs

There are four input selection groups. Each group consists of 8 selections. For devices with only 8 inputs, all 8 inputs are available in every group. For devices with 16 inputs, only 8 of the 16 are available in each group but are distributed in such a way to minimize precluding some input selection combinations. No input will appear twice in the same group but will appear as an input in other groups.

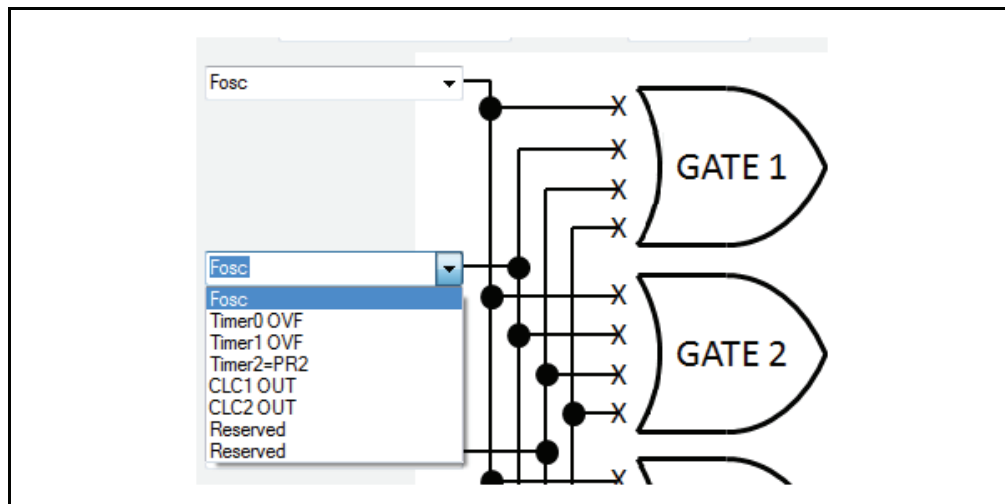
As seen in Table 1-2, each drop-down item correlates to a logic cell data input group (lctx). Each data input is selectable at least two different times in two or more different groups. For example, FOSC could be selected as an input in the first and second drop-down menus in the CLC tool for a PIC16F1507 as shown in Figure 1-4.

**TABLE 1-2: CLCX DATA INPUT SELECTION FOR THE PIC16F1507**

Data Input	lctx1 D1S	lctx2 D2S	lctx3 D3S	lctx4 D4S	CLC1	CLC2
CLCxIN[0]	000	—	—	000	CLC1IN0	CLC2IN0
CLCxIN[1]	001	—	—	101	CLC1IN1	CLC2IN1
CLCxIN[2]	010	—	—	110	Reserved	Reserved
CLCxIN[3]	011	—	—	111	Reserved	Reserved
CLCxIN[4]	100	000	—	—	FOSC	FOSC
CLCxIN[5]	101	001	—	—	TMR0IF	TMR0IF
CLCxIN[6]	110	010	—	—	TMR1IF	TMR1IF
CLCxIN[7]	111	011	—	—	TMR2 = PR2	TMR2 = PR2
CLCxIN[8]	—	100	000	—	CLC1OUT	CLC1OUT
CLCxIN[9]	—	101	001	—	CLC2OUT	CLC2OUT
CLCxIN[10]	—	110	010	—	Reserved	Reserved
CLCxIN[11]	—	111	011	—	Reserved	Reserved
CLCxIN[12]	—	—	100	000	NCO1OUT	LFINTOSC
CLCxIN[13]	—	—	101	001	HFINTOSC	ADCFC
CLCxIN[14]	—	—	110	010	PWM3OUT	PWM1OUT
CLCxIN[15]	—	—	111	011	PWM4OUT	PWM2OUT

# CLC Configuration Tool Overview

**FIGURE 1-4: SELECTION FOSC AS AN INPUT FOR TWO DIFFERENT GATES**



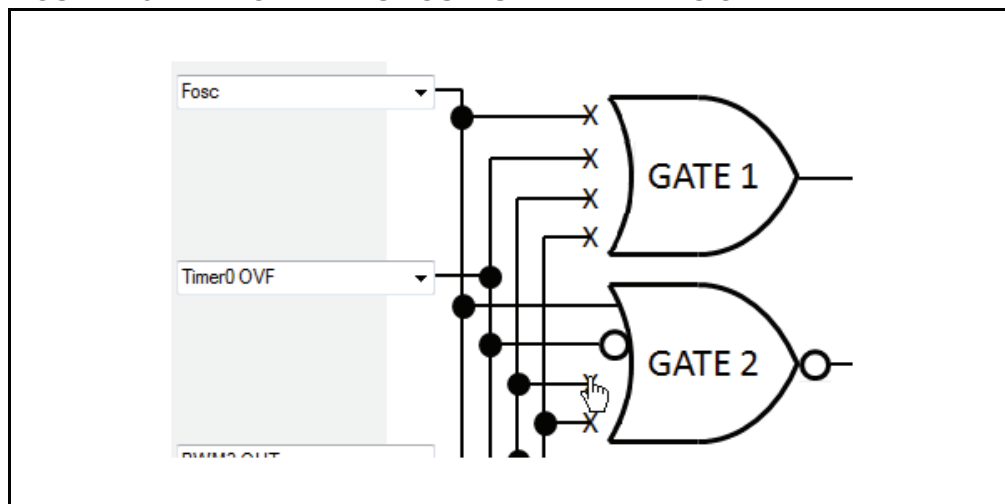
## 1.5.4 Gate Inputs

Once the data inputs are selected, they can be mapped into each of the four gates. The output of each gate will differ according to the logic function selected. To select an input into a gate, simply hover over the desired “X” and click once. The cursor arrow will have changed to the pointer and a line extending the input into the gate will appear. To invert the signal, click again where the “X” was and now a bubble should appear, indicating an inversion. If clicked once more, the bubble and line should disappear and default back to the original unconnected state.

## 1.5.5 Gate Outputs

Each of the gate outputs can be inverted. To do so, simply click once on the output of an individual gate for a bubble to appear. The output is now inverted. To undo this, click the bubble again for it to disappear. It is important to note that any gate with no inputs selected will have its output default to the Off state (logic zero). If a constant logic one is desired then invert the default logic zero by clicking the output for the inverting bubble. Figure 1-5 shows the setup of having Fosc and an inverted Timer0 OVF as inputs to Gate 2 with its output inverted.

**FIGURE 1-5: GATE INPUT/OUTPUT WITH INVERSION**

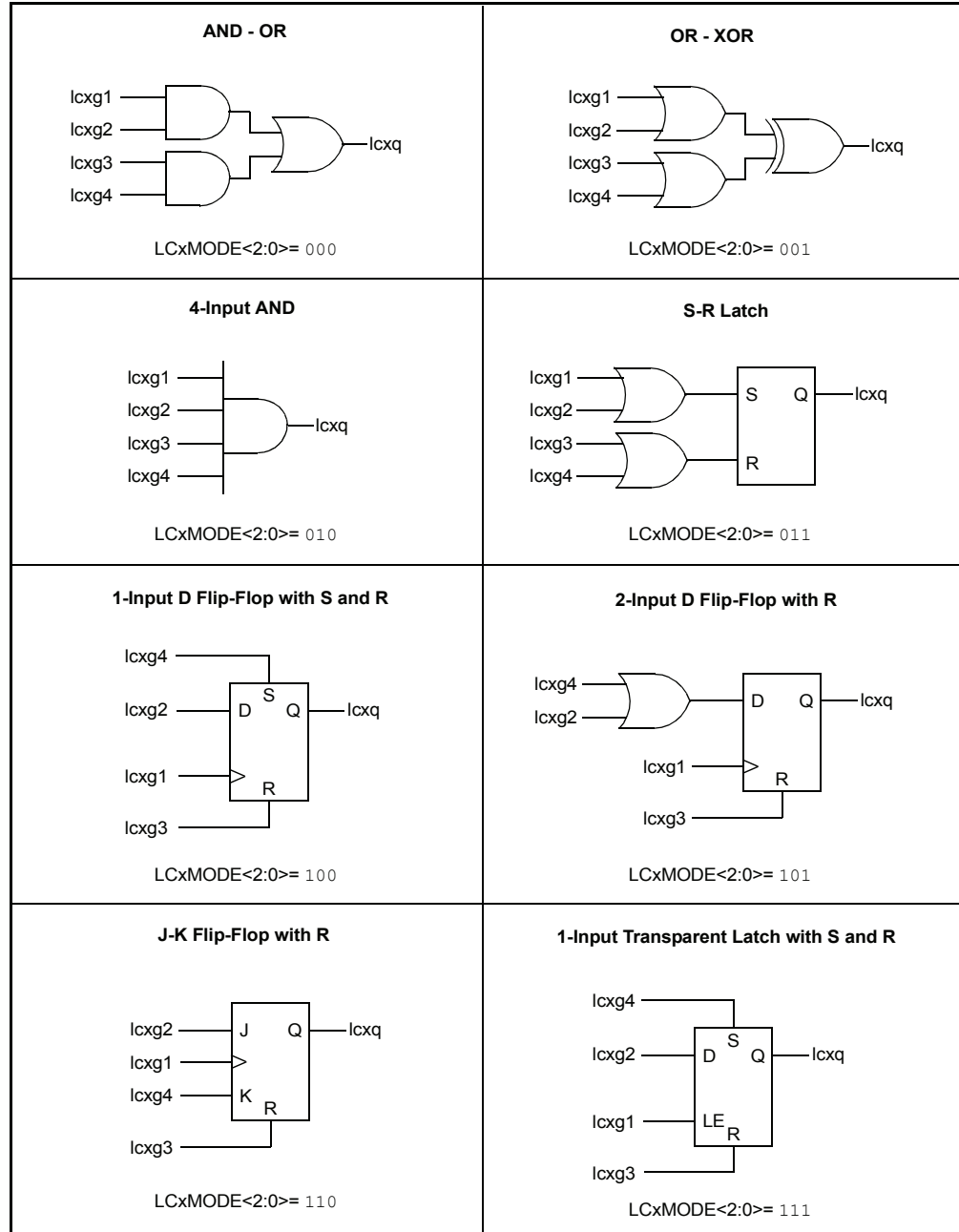


# CLC Configuration Tool User's Guide

## 1.5.6 Digital Logic Blocks

There are eight available logic functions selected by the tabs of the CLC tool. The logic blocks cannot be configured other than what is shown. Only one logic function can be used at a single time for each CLC module. Figure 1-6 displays all of the available functions.

**FIGURE 1-6: GATE INPUT/OUTPUT WITH INVERSION**



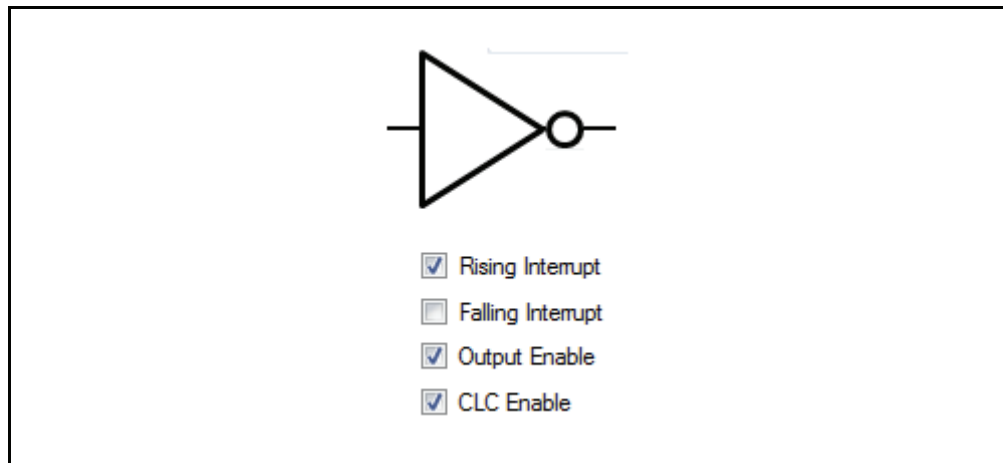
# CLC Configuration Tool Overview

## 1.5.7 Output Control

The output from the logic block is fed to the last stage of the CLC, the inversion gate. To invert the output, click on the buffer output pin once for a bubble to appear. From here, the output can be routed to other peripherals, an output pin, or back to the CLC input. An interrupt can be enabled upon a rising and/or falling edge from the CLC output.

Figure 1-7 shows the configuration for enabling the module, enabling the output to the CLCx output pin, and producing an interrupt upon a rising edge being detected. The CLC output will also be inverted.

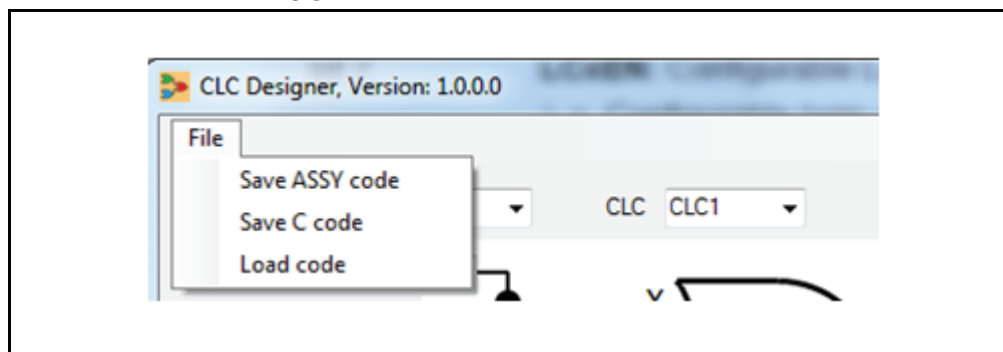
**FIGURE 1-7: CLC OUTPUT OPTIONS**



## 1.6 SAVING/LOADING

The program provides convenient methods in saving or loading the design. When the design is concluded and ready to be implemented in software, click the **File** pull-down menu in the top-left corner of the dialog box as shown in Figure 1-8.

**FIGURE 1-8: LOCATION OF LOADING AND SAVING CODE IN THE PROGRAM**



Then click *file>Save ASSY code* or *Save C code*, depending on the desired output language. The code for all configured CLCs of the selected device will be included in the output file. The resultant file will have an `.inc` extension. Figure 1-7 shows example output code for the setup as seen in Figure 1-6, with the inclusion of the AND-OR logic block and the rest having default settings. The device used in the example is a PIC16F1507 with module CLC1.

# CLC Configuration Tool User's Guide

## EXAMPLE 1-1: EXAMPLE C AND ASSEMBLY GENERATED CODE

```
// File: test.inc
// Generated by CLC Designer, Version: 1.0.0.0
// Date: 7/8/2011 5:51 PM
// Device:PIC16(L)F1507

CLC1GLS0 = 0x00;
CLC1GLS1 = 0x06;
CLC1GLS2 = 0x00;
CLC1GLS3 = 0x00;
CLC1SEL0 = 0x14;
CLC1SEL1 = 0x06;
CLC1POL = 0x02;
CLC1CON = 0x00;
```

```
; File: test.inc
; Generated by CLC Designer, Version: 1.0.0.0
; Date: 7/8/2011 5:52 PM
; Device:PIC16(L)F1507

BANKSEL CLC1GLS0
movlw H'00'
movwf CLC1GLS0
movlw H'06'
movwf CLC1GLS1
movlw H'00'
movwf CLC1GLS2
movlw H'00'
movwf CLC1GLS3
movlw H'14'
movwf CLC1SEL0
movlw H'06'
movwf CLC1SEL1
movlw H'02'
movwf CLC1POL
movlw H'00'
movwf CLC1CON
```

Both pieces of code produce the same affect. The assembly is longer due to the nature of the language. The code can now be easily included as a library file or pasted into an existing program. It is important that the comment section is left intact because the CLC tool uses the comments, specifically the device row, to correctly repopulate the fields.

To load previously saved code from the CLC tool, click [file>load code](#). If imported successfully, the tool will have populated the GUI with the appropriate values corresponding to the registers in the loaded code. If the message is received as seen in Figure 1-9, the device ID in the comments was deleted and must be put back into place.

**FIGURE 1-9: ERROR MESSAGE IF DEVICE ID IS MISSING IN THE COMMENTS OF LOADED CODE**



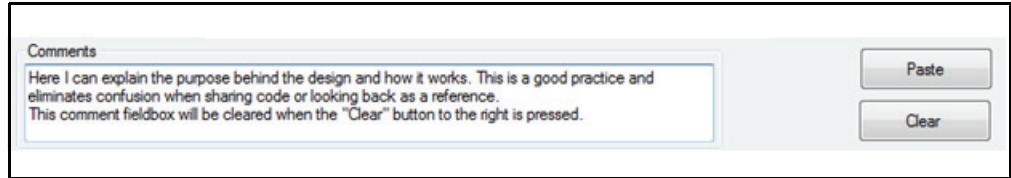
Comments can also be saved and loaded within the output file. To do so, simply fill out the comments input text area as seen in Figure 1-10 and when the project is ready to be saved, the comments will also be included in the output file.



# CLC Configuration Tool Overview

---

FIGURE 1-10: COMMENT TEXT AREA



The button, **Copy and Show** is used to get a quick view of the register values for the present configuration. When pressed, the boxes below the button will be filled with the settings that correspond to the design. If multiple CLCs share similar configurations, one CLC module can be designed and then pasted into another by clicking the **Copy and Show** in the current module and then **Paste** in another CLC module. This will copy all of the content from one CLC to another. The clipboard contents cannot be pasted to any window outside of the CLC tool. The **Clear** button will reset all fields to their default state.

# CLC Configuration Tool User's Guide

---

NOTES:

## Chapter 2. Manchester Line Code Example

### 2.1 INTRODUCTION

This example will use the information in **Chapter 1. “CLC Configuration Tool Overview”** in solving a typical problem that can now be achieved with ease using the Configurable Logic Cell Configuration Tool. It is recommended that the reader first understand how to use the program before continuing.

### 2.2 HIGHLIGHTS

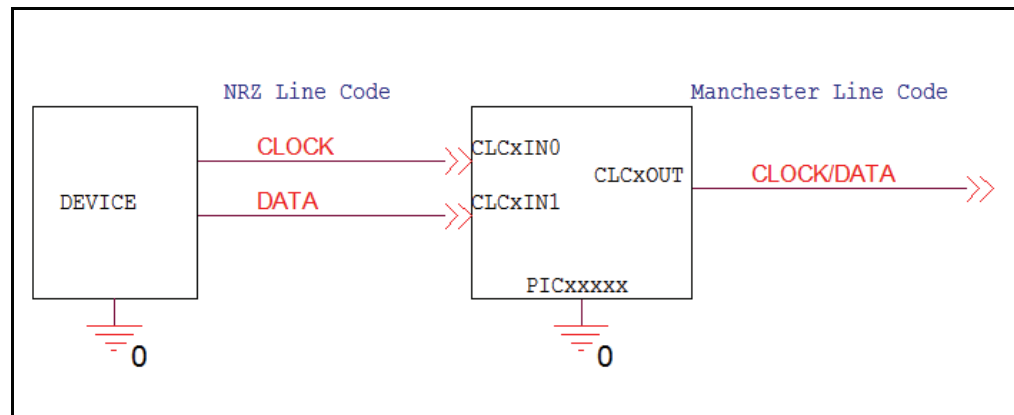
This chapter discusses:

- Example Problem
- Proposed Solution
- Extended Solution

### 2.3 EXAMPLE PROBLEM

You want to encode a bit stream of a typical non-return-to-zero (NRZ) line code from a certain device to a slimmer, more versatile Manchester line code. A Manchester line code has advantages over the typical NRZ code in that Manchester encoding combines the clock and data into one data stream. It has no DC component and is self-clocking. A diagram of a potential setup is shown in Figure 2-1.

**FIGURE 2-1: NRZ LINE CODE ENCODED TO A MANCHESTER CODE**



### 2.4 PROPOSED SOLUTION

Using only one CLC module on a PIC<sup>®</sup> device would accomplish this task. There would be no limitation to the clock speed, since the CLC is not controlled by software. This allows the CPU to focus on the main program without dealing with the encoding process. This also saves the designer additional costs by not having to include more external hardware to perform the same task.

The encoding process simply requires an XOR gate with the data and clock inputs. For this design, a PIC16F1507 is used with its CLC2 module.

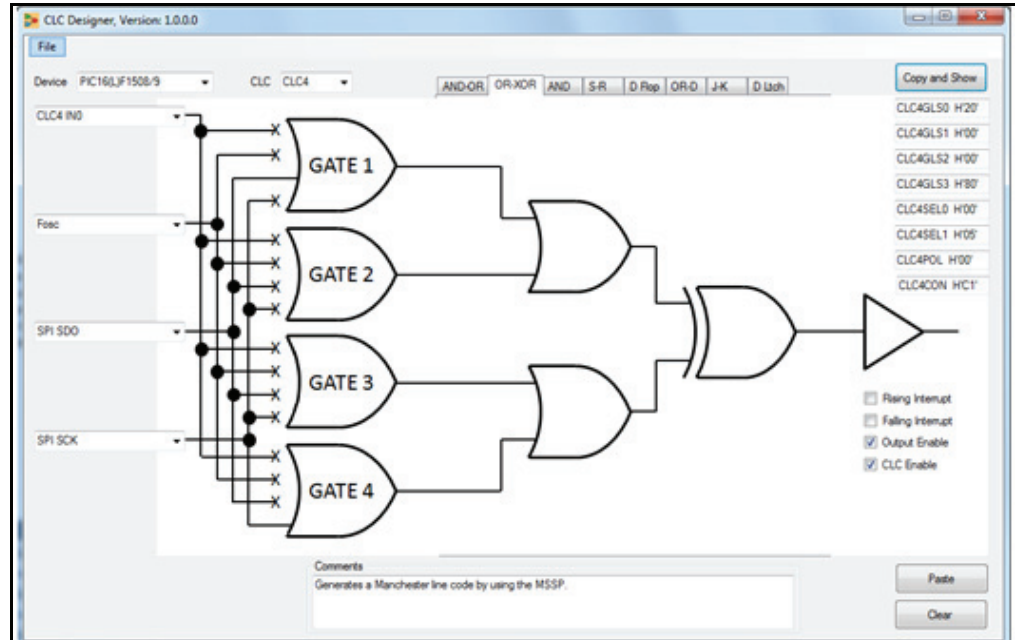


# Manchester Line Code Example

## 2.5 EXTENDED SOLUTION

If the user wants to generate a Manchester encoded message from the PIC device directly, this is easily achieved through the MSSP. Simply select the PIC16F1508 and replace the data/clock inputs from the external device with SPI SCK and SPI SDO.

**FIGURE 2-4: CLC DESIGN FOR THE ENCODE HANDLING USING THE MSSP AS INPUTS**



**Note:** See **Appendix A. “Manchester Encoding Program (ASSY)”** for assembly code solution.

# CLC Configuration Tool User's Guide

---

NOTES:



## Appendix A. Manchester Encoding Program (ASSY)

### Software License Agreement

The software supplied herewith by Microchip Technology Incorporated (the "Company") is intended and supplied to you, the Company's customer, for use solely and exclusively with products manufactured by the Company.

The software is owned by the Company and/or its supplier, and is protected under applicable copyright laws. All rights are reserved. Any use in violation of the foregoing restrictions may subject the user to criminal sanctions under applicable laws, as well as to civil liability for the breach of the terms and conditions of this license.

THIS SOFTWARE IS PROVIDED IN AN "AS IS" CONDITION. NO WARRANTIES, WHETHER EXPRESS, IMPLIED OR STATUTORY, INCLUDING, BUT NOT LIMITED TO, IMPLIED WARRANTIES OF MERCHANTABILITY AND FITNESS FOR A PARTICULAR PURPOSE APPLY TO THIS SOFTWARE. THE COMPANY SHALL NOT, IN ANY CIRCUMSTANCES, BE LIABLE FOR SPECIAL, INCIDENTAL OR CONSEQUENTIAL DAMAGES, FOR ANY REASON WHATSOEVER.

```
#include "p16f1507.inc"

    __CONFIG __CONFIG1, _FOSC_INTOSC & _WDTE_OFF & _PWRTE_OFF &
    _CLKOUTEN_OFF
    __CONFIG __CONFIG2, _LVP_OFF & _STVREN_ON ;Stack over/under flow
will cause a reset

    errorlevel -302 ;suppress bank selection not zero warning

    ORG 0x00

main
    call    main_init ;init CLC and configure PIC inputs/outputs
    goto   main_loop ;main waiting loop
main_loop
    goto   main_loop ;sit here forever

main_init
; File: clc.inc
; Generated by CLC Designer, Version: 1.0.0.0
; Date: 7/13/2011 12:44 PM
; Device: PIC16(L)F1507

    BANKSEL CLC1GLS0
    movlw  H'00'
    movwf  CLC1GLS0
    movlw  H'00'
    movwf  CLC1GLS1
    movlw  H'00'
    movwf  CLC1GLS2
    movlw  H'00'
    movwf  CLC1GLS3
    movlw  H'00'
    movwf  CLC1SEL0
    movlw  H'00'
    movwf  CLC1SEL1
    movlw  H'00'
    movwf  CLC1POL
    movlw  H'00'
    movwf  CLC1CON
```

# CLC Configuration Tool User's Guide

---

```
BANKSEL CLC2GLS0
movlw H'02'
movwf CLC2GLS0
movlw H'00'
movwf CLC2GLS1
movlw H'00'
movwf CLC2GLS2
movlw H'80'
movwf CLC2GLS3
movlw H'00'
movwf CLC2SEL0
movlw H'50'
movwf CLC2SEL1
movlw H'00'
movwf CLC2POL
movlw H'C1'
movwf CLC2CON

;Uses CLC2out
banksel OSCCON
movlw b'01110010';8MHz clock - Does not matter for this demo
movwf OSCCON
banksel TRISC
movlw b'10011000'; RC3 & RC4 as input to CLC2IN :: RC0 as
output form CLC2
movwf TRISC
banksel ANSEL    ;All digital outputs
movlw 0x00
movwf ANSEL

return          ;return to main program
```



# CLC Configuration Tool User's Guide

---

---

NOTES:



# MICROCHIP

## Worldwide Sales and Service

### AMERICAS

**Corporate Office**  
2355 West Chandler Blvd.  
Chandler, AZ 85224-6199  
Tel: 480-792-7200  
Fax: 480-792-7277  
Technical Support:  
<http://www.microchip.com/support>  
Web Address:  
[www.microchip.com](http://www.microchip.com)

**Atlanta**  
Duluth, GA  
Tel: 678-957-9614  
Fax: 678-957-1455

**Boston**  
Westborough, MA  
Tel: 774-760-0087  
Fax: 774-760-0088

**Chicago**  
Itasca, IL  
Tel: 630-285-0071  
Fax: 630-285-0075

**Cleveland**  
Independence, OH  
Tel: 216-447-0464  
Fax: 216-447-0643

**Dallas**  
Addison, TX  
Tel: 972-818-7423  
Fax: 972-818-2924

**Detroit**  
Farmington Hills, MI  
Tel: 248-538-2250  
Fax: 248-538-2260

**Indianapolis**  
Noblesville, IN  
Tel: 317-773-8323  
Fax: 317-773-5453

**Los Angeles**  
Mission Viejo, CA  
Tel: 949-462-9523  
Fax: 949-462-9608

**Santa Clara**  
Santa Clara, CA  
Tel: 408-961-6444  
Fax: 408-961-6445

**Toronto**  
Mississauga, Ontario,  
Canada  
Tel: 905-673-0699  
Fax: 905-673-6509

### ASIA/PACIFIC

**Asia Pacific Office**  
Suites 3707-14, 37th Floor  
Tower 6, The Gateway  
Harbour City, Kowloon  
Hong Kong  
Tel: 852-2401-1200  
Fax: 852-2401-3431

**Australia - Sydney**  
Tel: 61-2-9868-6733  
Fax: 61-2-9868-6755

**China - Beijing**  
Tel: 86-10-8569-7000  
Fax: 86-10-8528-2104

**China - Chengdu**  
Tel: 86-28-8665-5511  
Fax: 86-28-8665-7889

**China - Chongqing**  
Tel: 86-23-8980-9588  
Fax: 86-23-8980-9500

**China - Hangzhou**  
Tel: 86-571-2819-3187  
Fax: 86-571-2819-3189

**China - Hong Kong SAR**  
Tel: 852-2401-1200  
Fax: 852-2401-3431

**China - Nanjing**  
Tel: 86-25-8473-2460  
Fax: 86-25-8473-2470

**China - Qingdao**  
Tel: 86-532-8502-7355  
Fax: 86-532-8502-7205

**China - Shanghai**  
Tel: 86-21-5407-5533  
Fax: 86-21-5407-5066

**China - Shenyang**  
Tel: 86-24-2334-2829  
Fax: 86-24-2334-2393

**China - Shenzhen**  
Tel: 86-755-8203-2660  
Fax: 86-755-8203-1760

**China - Wuhan**  
Tel: 86-27-5980-5300  
Fax: 86-27-5980-5118

**China - Xian**  
Tel: 86-29-8833-7252  
Fax: 86-29-8833-7256

**China - Xiamen**  
Tel: 86-592-2388138  
Fax: 86-592-2388130

**China - Zhuhai**  
Tel: 86-756-3210040  
Fax: 86-756-3210049

### ASIA/PACIFIC

**India - Bangalore**  
Tel: 91-80-3090-4444  
Fax: 91-80-3090-4123

**India - New Delhi**  
Tel: 91-11-4160-8631  
Fax: 91-11-4160-8632

**India - Pune**  
Tel: 91-20-2566-1512  
Fax: 91-20-2566-1513

**Japan - Yokohama**  
Tel: 81-45-471- 6166  
Fax: 81-45-471-6122

**Korea - Daegu**  
Tel: 82-53-744-4301  
Fax: 82-53-744-4302

**Korea - Seoul**  
Tel: 82-2-554-7200  
Fax: 82-2-558-5932 or  
82-2-558-5934

**Malaysia - Kuala Lumpur**  
Tel: 60-3-6201-9857  
Fax: 60-3-6201-9859

**Malaysia - Penang**  
Tel: 60-4-227-8870  
Fax: 60-4-227-4068

**Philippines - Manila**  
Tel: 63-2-634-9065  
Fax: 63-2-634-9069

**Singapore**  
Tel: 65-6334-8870  
Fax: 65-6334-8850

**Taiwan - Hsin Chu**  
Tel: 886-3-5778-366  
Fax: 886-3-5770-955

**Taiwan - Kaohsiung**  
Tel: 886-7-536-4818  
Fax: 886-7-330-9305

**Taiwan - Taipei**  
Tel: 886-2-2500-6610  
Fax: 886-2-2508-0102

**Thailand - Bangkok**  
Tel: 66-2-694-1351  
Fax: 66-2-694-1350

### EUROPE

**Austria - Wels**  
Tel: 43-7242-2244-39  
Fax: 43-7242-2244-393

**Denmark - Copenhagen**  
Tel: 45-4450-2828  
Fax: 45-4485-2829

**France - Paris**  
Tel: 33-1-69-53-63-20  
Fax: 33-1-69-30-90-79

**Germany - Munich**  
Tel: 49-89-627-144-0  
Fax: 49-89-627-144-44

**Italy - Milan**  
Tel: 39-0331-742611  
Fax: 39-0331-466781

**Netherlands - Drunen**  
Tel: 31-416-690399  
Fax: 31-416-690340

**Spain - Madrid**  
Tel: 34-91-708-08-90  
Fax: 34-91-708-08-91

**UK - Wokingham**  
Tel: 44-118-921-5869  
Fax: 44-118-921-5820

08/02/11