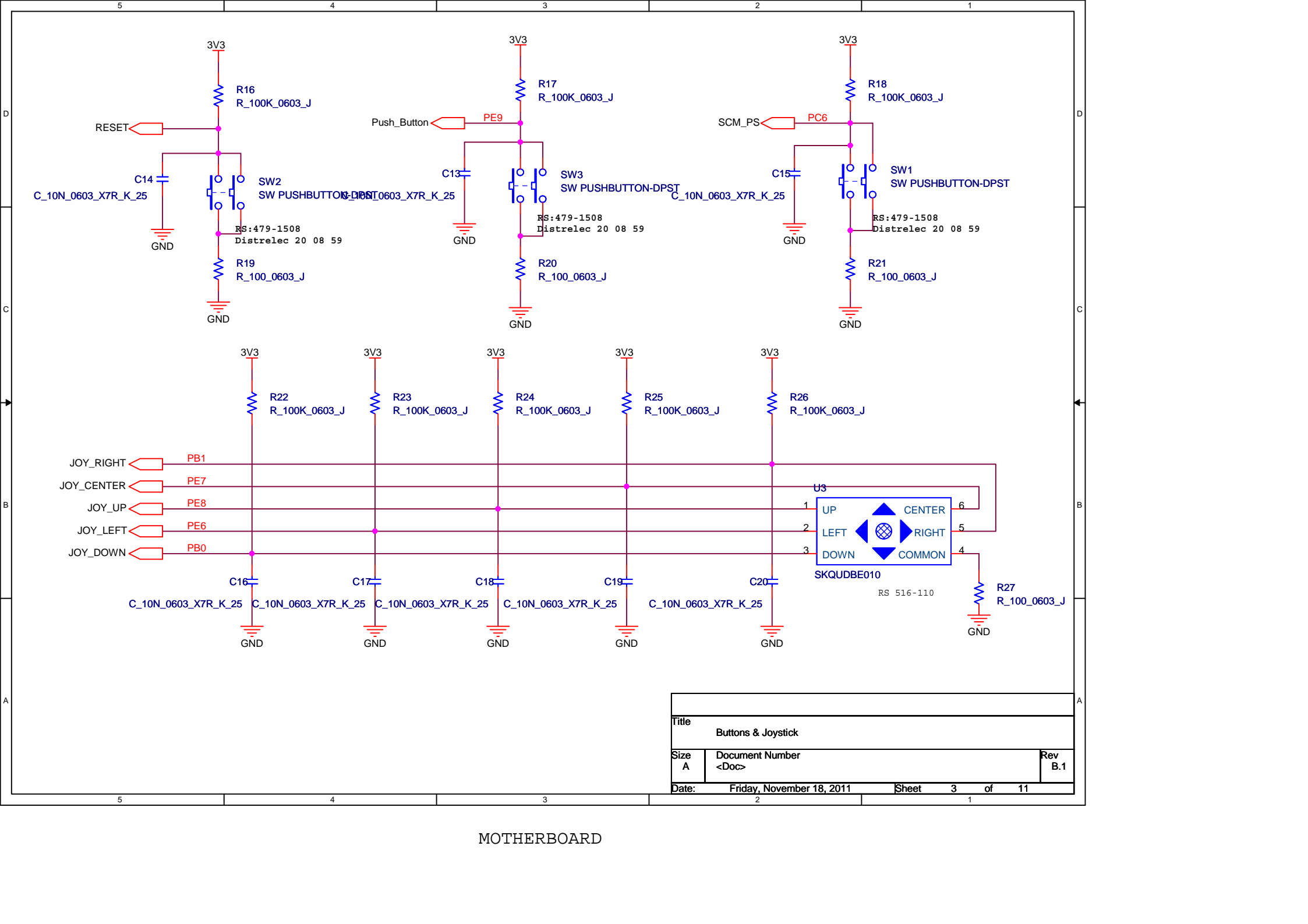


STMicroelectronics		
Title: SPIRIT1-Development Kit		
Size: B	Document Number: 01-2011	Rev: B.1
Date: Friday, November 18, 2011	Sheet: 1	of 11

MOTHERBOARD

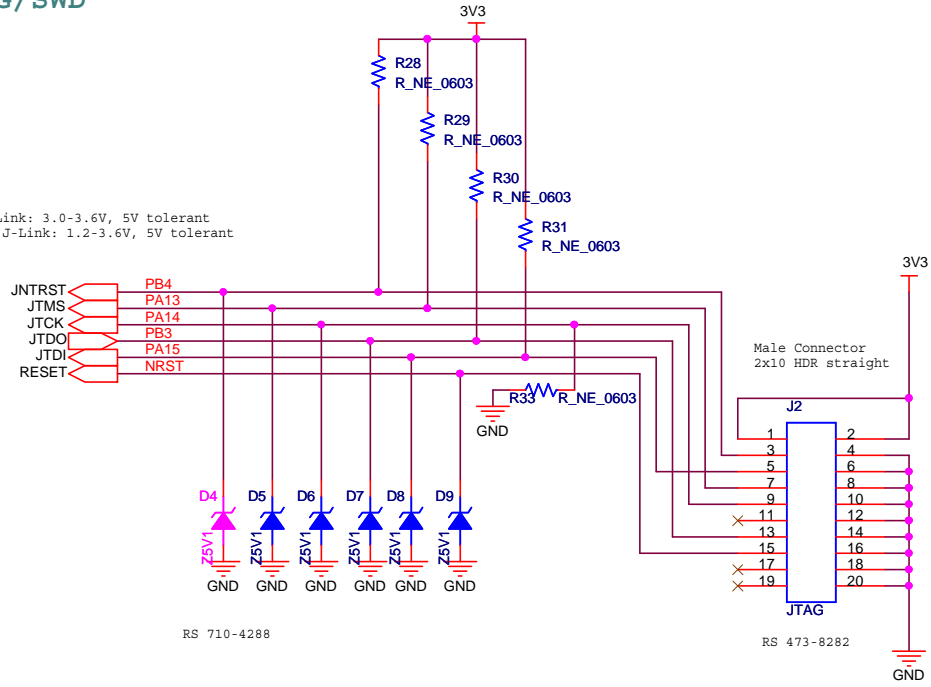


MOTHERBOARD

Title		
Buttons & Joystick		
Size	Document Number	Rev
A	<Doc>	B.1
Date:	Friday, November 18, 2011	Sheet 3 of 11

JTAG/SWD

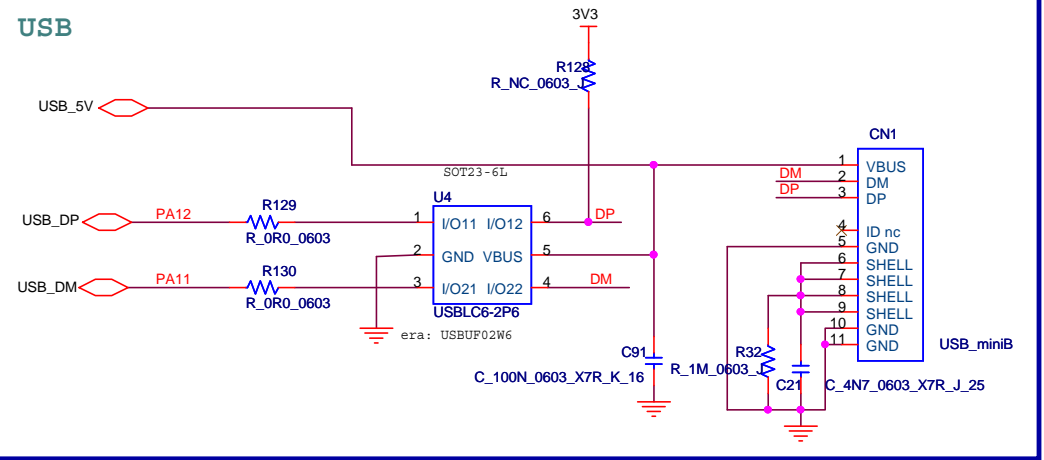
ST Link: 3.0-3.6V, 5V tolerant
IAR J-Link: 1.2-3.6V, 5V tolerant



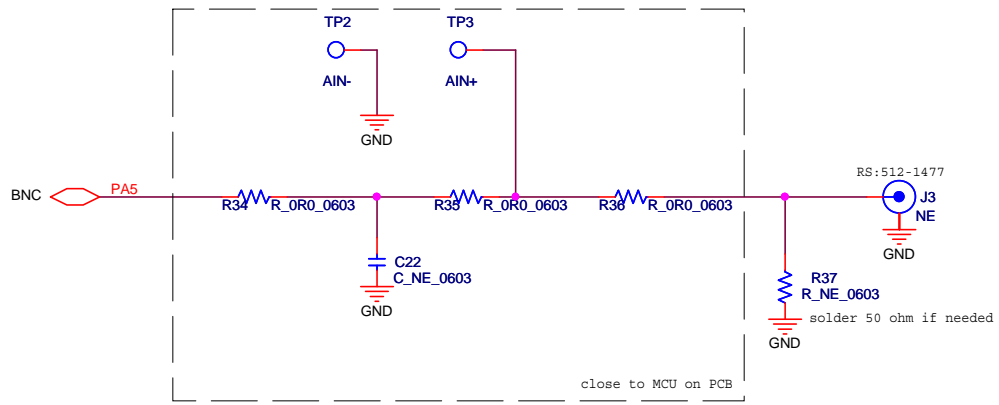
RS 710-4288

RS 473-8282

USB



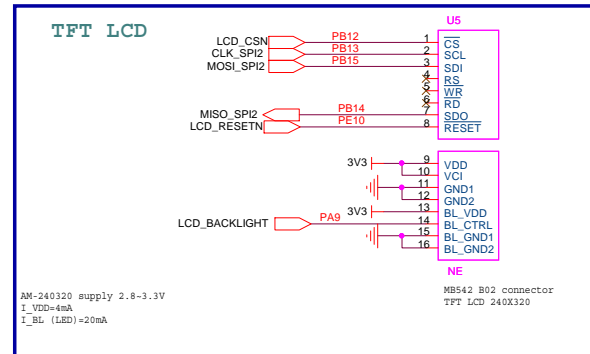
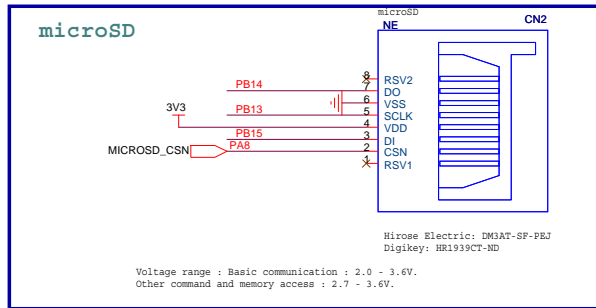
BNC



close to MCU on PCB

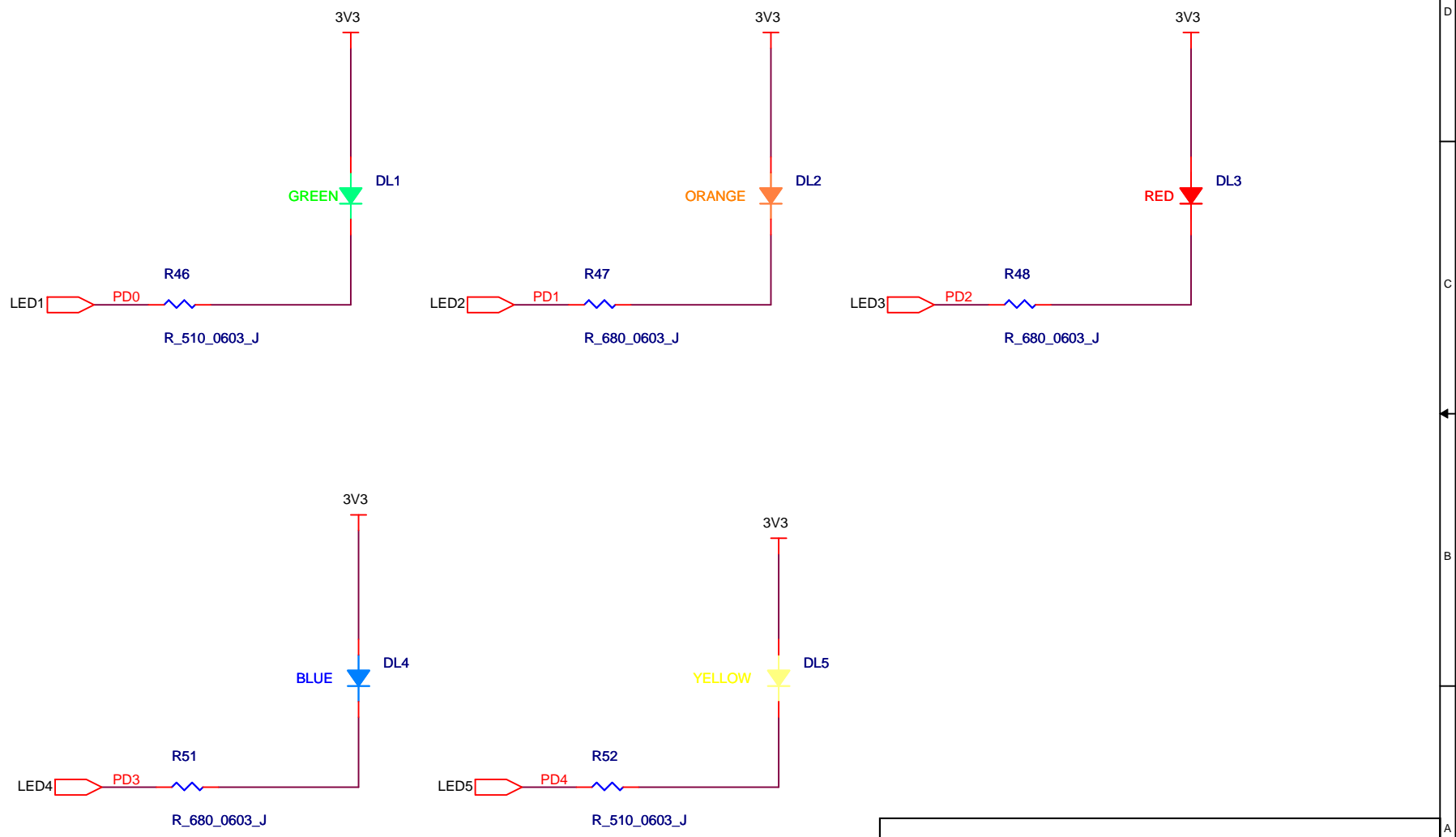
RS:512-1477
R37 R_NE_0603
solder 50 ohm if needed

Title		Interface	
Size	Document Number	Rev	
Custom	<Doc>	<Rev Code>	
Date:	Monday, November 21, 2011	Sheet	4 of 11



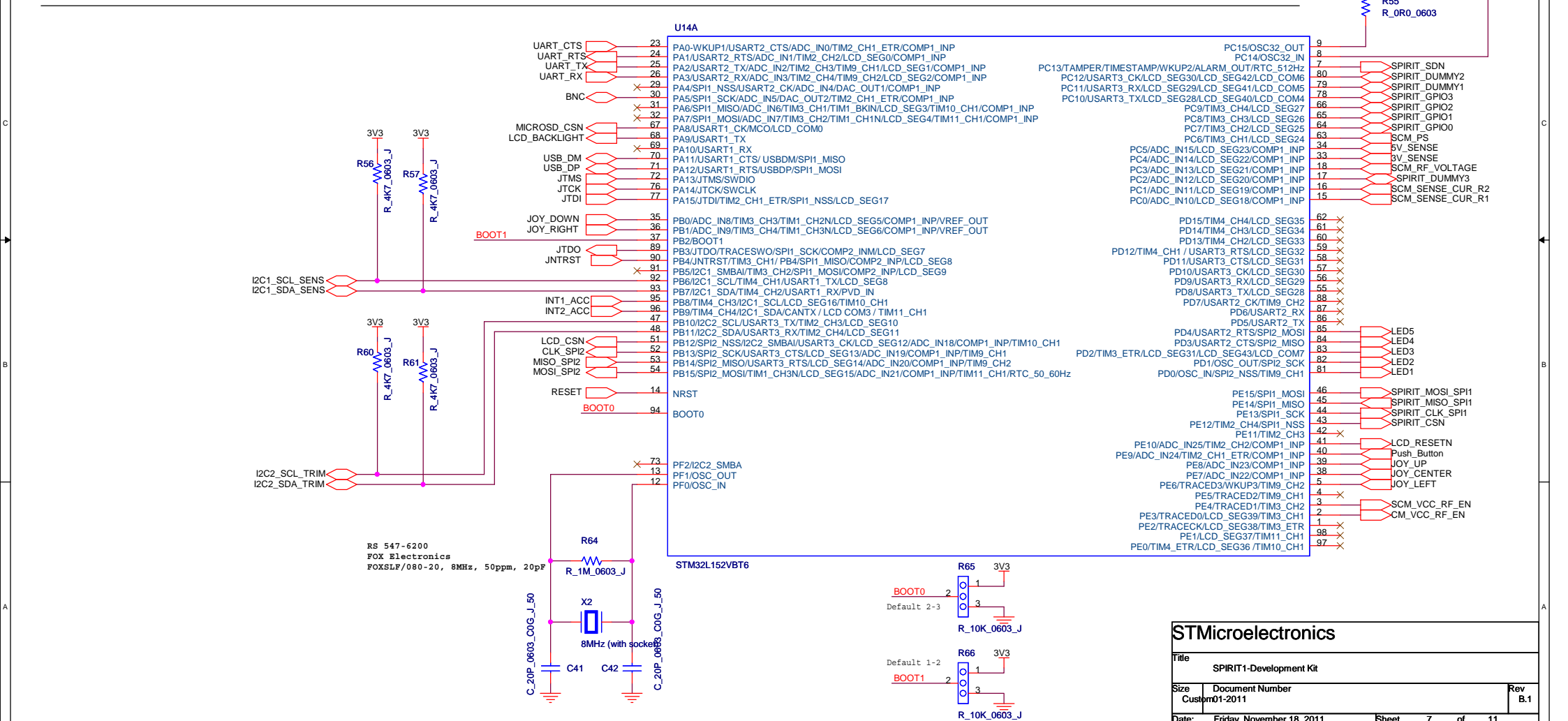
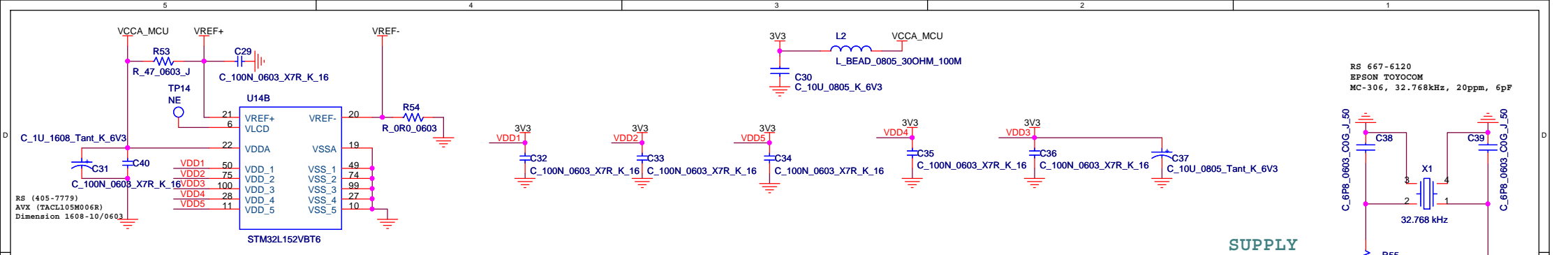
Title		LCD-SDA_Card	
Size	Document Number	Rev	
B	<Doc>	<Rev Code>	
Date:	Monday, November 07, 2011	Sheet	5 of 11

MOTHERBOARD



Title		
LEDS		
Size	Document Number	Rev
A	<Doc>	<RevCode>
Date:	Monday, November 07, 2011	Sheet 6 of 11

MOTHERBOARD

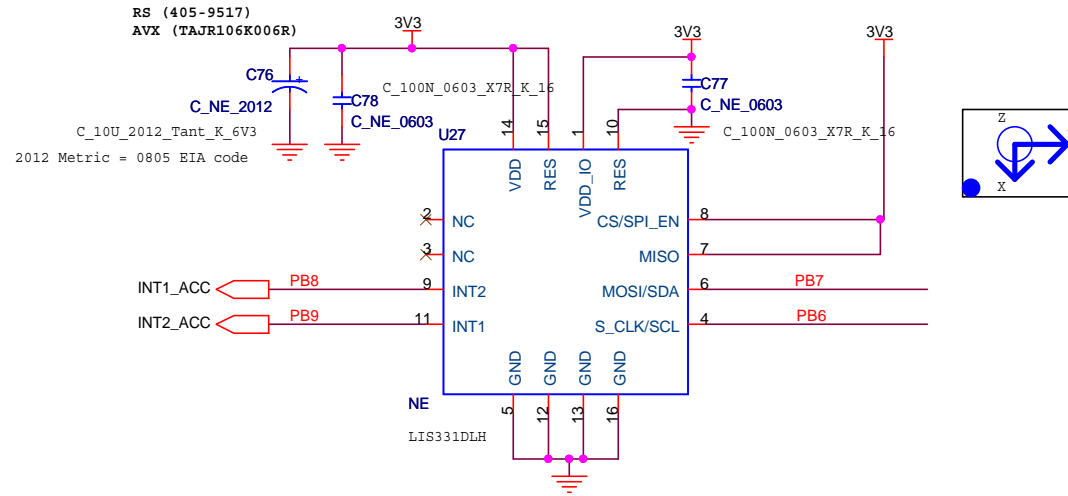


STMicroelectronics		
Title SPIRIT1-Development Kit		
Size	Document Number	Rev
Custom	01-2011	B.1
Date:	Friday, November 18, 2011	Sheet 7 of 11

MOTHERBOARD

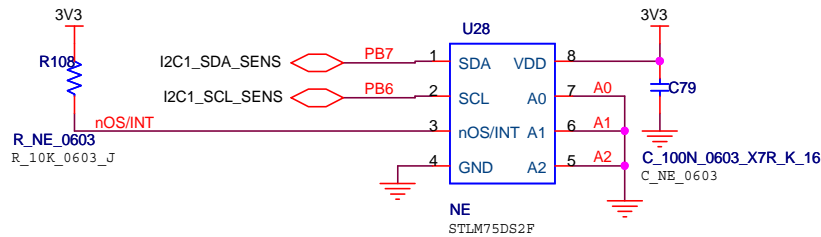
Tantalum AVX ESR max at 100 kHz = 6 Ohm
 Ceramic Cap 0805 10uF 6V3 ESR typ at 100 kHz=0.1 Ohm!!!

Accelerometer LIS331DLH



The Slave Address (SAD) associated to the LIS331DLH is 001100xb. SDO/SA0 pad can be used to modify less significant bit of the device address. If SA0 pad is connected to voltage supply, LSB is '1' (address 0011001b) else if SA0 pad is connected to ground, LSB value is '0' (address 0011000b). This solution permits to connect and address two different accelerometers to the same I2C lines.

Temperature Sensor

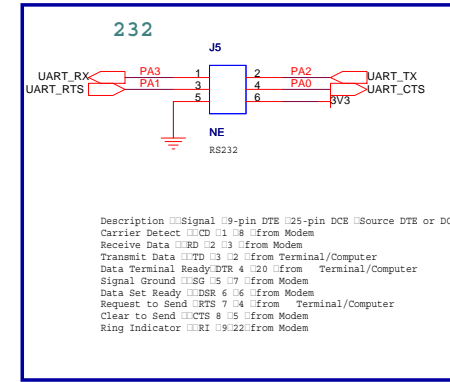
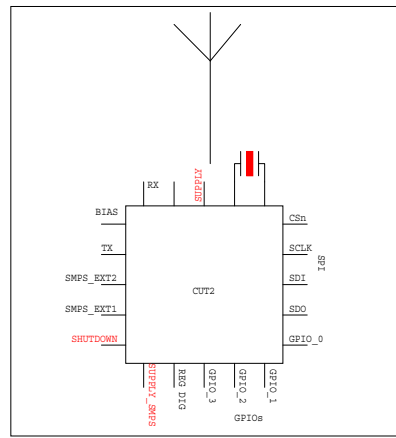


I2C Address:
 Read: 0x91
 Write: 0x90

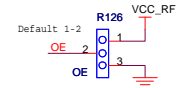
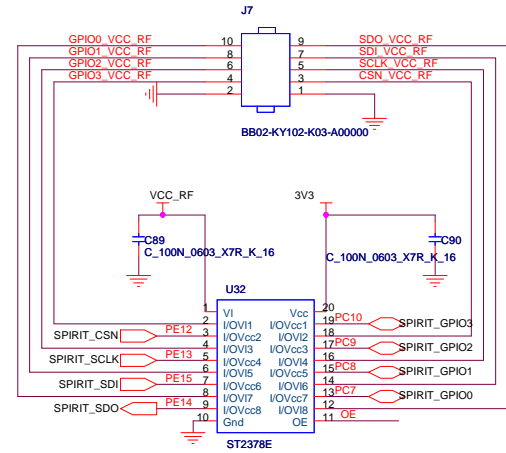
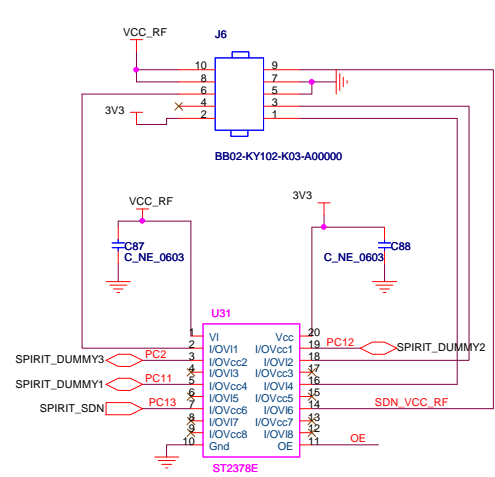
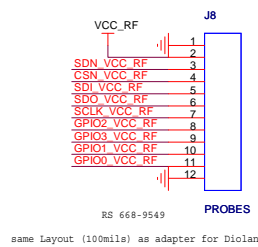
I2C Address = 10010000 (1001A2A1A0W) Write
 I2C Address = 10010001 (1001A2A1A0R) Read

Title		
Sensing		
Size	Document Number	Rev
Custom	<Doc>	<RevCo
Date:	Friday, November 18, 2011	Sheet 10 of 11

SPIRIT AND EXTENSION CONNECTORS



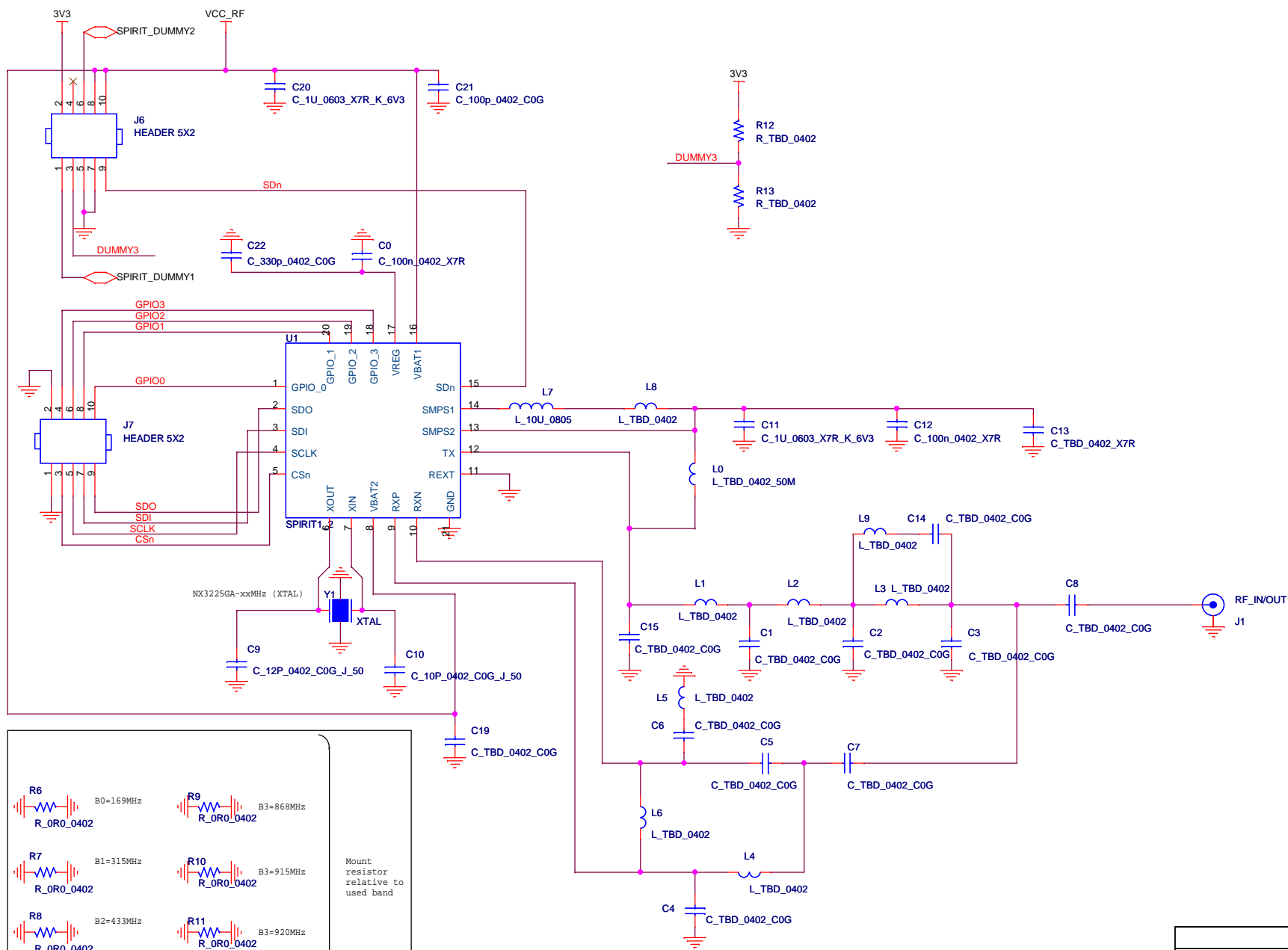
Gradconn BB02-KY102-K03-A00000



LEVEL TRASLATOR

Title		
SPIRIT AND EXTENSION CONNECTORS		
Size	Document Number	Rev
B	<Doc>	1
Date:	Friday, November 18, 2011	Sheet 11 of 11

MOTHERBOARD



R6	B0=169MHz	R9	B3=868MHz
R7	B1=315MHz	R10	B3=915MHz
R8	B2=433MHz	R11	B3=920MHz

Mount resistor relative to used band

Title		
SPIRIT1 RF PCB		
Size	Document Number	Rev
B	1.0	1.0
Date:	Monday, May 07, 2012	Sheet 1 of 1

DAUGHTER BOARD